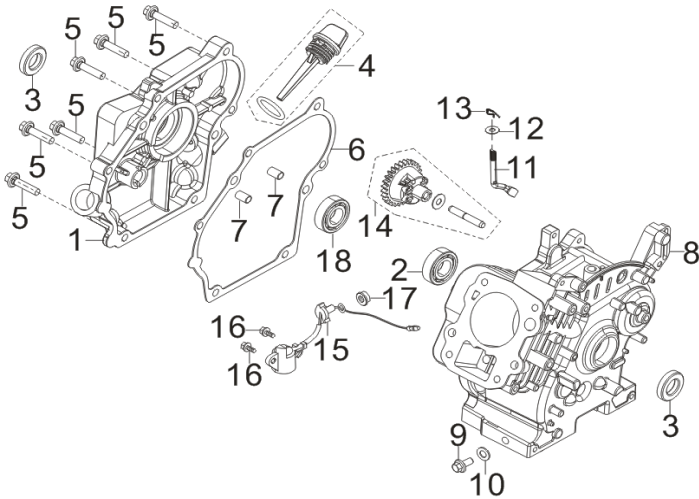


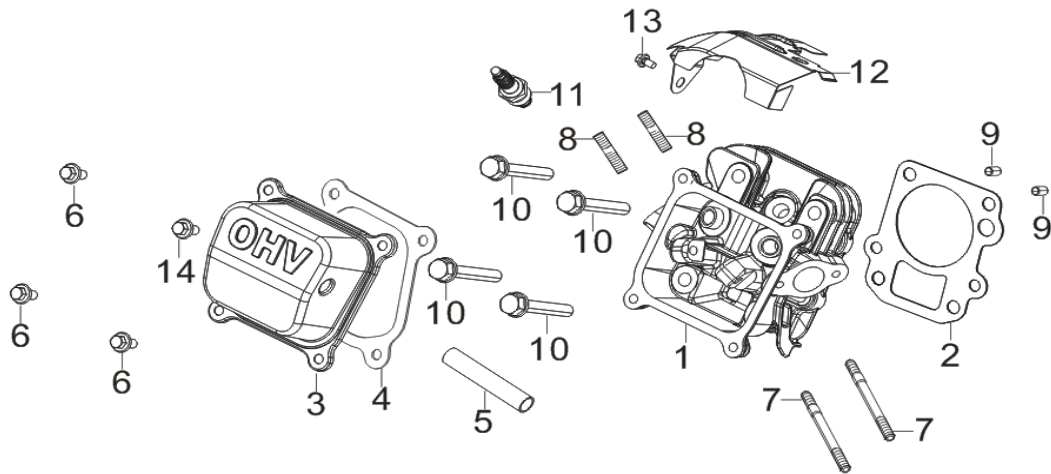
# RT40ZB20-1.2Q

## FIG.1 CRANKCASE ASSY (E01)



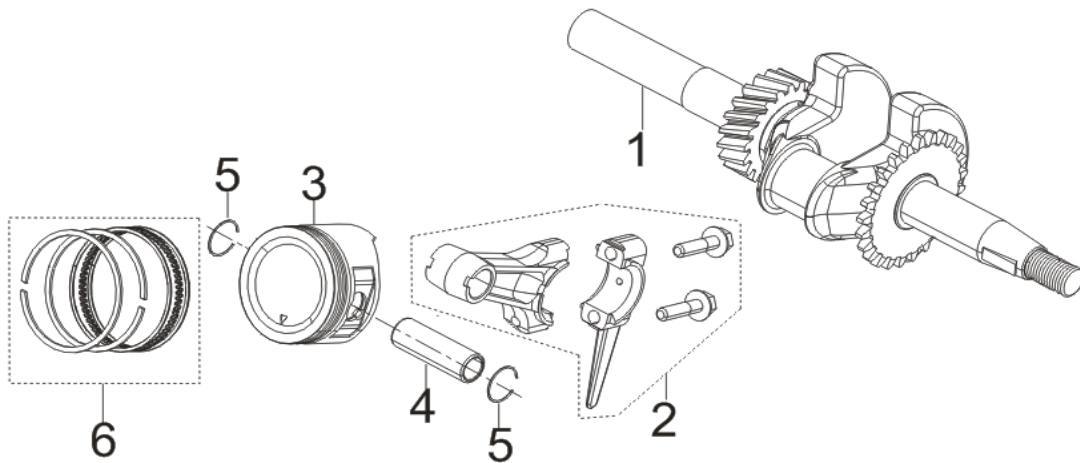
REF.NO.	PART NO	DESCRIPTION	Q'TY
E01-1	11411-Z510110-0B00	COVER, CRANKCASE	1
E01-2	90548-0203-CL0E	BEARING, DEEP GROOVE BALL	1
E01-3	90682-Z510110-0000	SEAL, OIL	2
E01-4	15010-Z510140-Q500	DIPSTICK SUBASSEMBLY, OIL	1
E01-5	90001-0625-01	BOLT	6
E01-6	11001-Z510130-0000	GASKET, CRANKCASE	1
E01-7	90502-0812-00	PIN	2
E01-8	11310-Z210310-0B00	CRANKCASE SUBASSEMBLY.	1
E01-9	11007-Z010110-0000	BOLT, DRAIN PLUG	1
E01-10	90408-Z010110-0000	WASHER, FLAT	1
E01-11	16061-Z510210-0000	ARM, GOVERNOR	1
E01-12	90408-Z010210-0000	WASHER, FLAT	1
E01-13	90501-Z010110-0000	PIN	1
E01-14	16400-Z210110-0000	GEAR ASSY, GOVERNOR	1
E01-15	37060-Z510140-0000	SENSOR, ENGINE OIL	1
E01-16	90001-0614-01	BOLT	2
E01-17	90305-Z010210-01	NUT	1
E01-18	90548-0303-CL	BEARING, DEEP GROOVE BALL	1

**FIG.2 HEAD SUBASSEMBLY, CYLINDER / PLUG,SPARK (E02)**



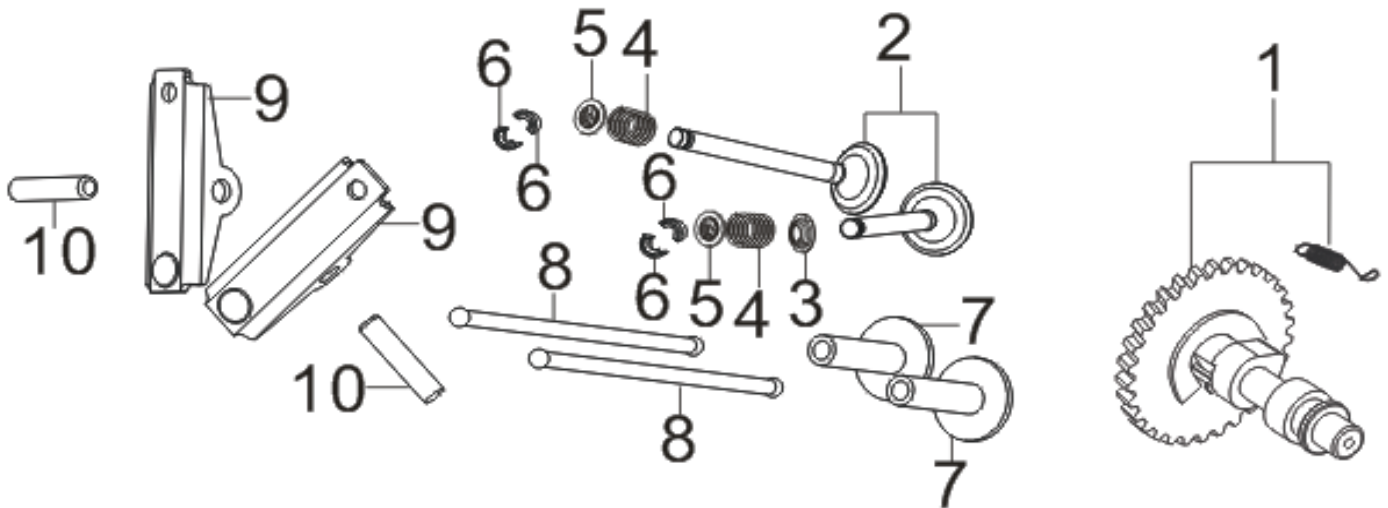
REF.NO.	PART NO	DESCRIPTION	Q'TY
E02-1	12140-Z0M0110-0B00	HEAD SUBASSEMBLY, CYLINDER	1
E02-2	12131-Z210110-0000	GASKET, CYLINDER HEAD	1
E02-3	12410-Z0M0110-0000	COVER SUBASSEMBLY, CYLINDER HEAD	1
E02-4	12004-Z0M0110-0000	GASKET, CYLINDER HEAD COVER	1
E02-5	17004-Z0M0310-0000	TUBE, BREATHER	1
E02-6	90001-0612-01	BOLT	3
E02-7	90204-Z010210-0000	BOLT	2
E02-8	90203-Z010110-0000	BOLT	2
E02-9	90502-0814-00	PIN	2
E02-10	12003-Z510110-0000	BOLT, CYLINDER HEAD	4
E02-11	30010-Z350210-00A0	PLUG, SPARK	1
E02-12	19304-Z510310-0000	SHROUD, CYLINDER BODY	1
E02-13	90001-0610-01	BOLT	1
E02-14	90001-0614-01	BOLT	1

**FIG.3 ROD,CRANKSHAFT CONNETING (E03)**



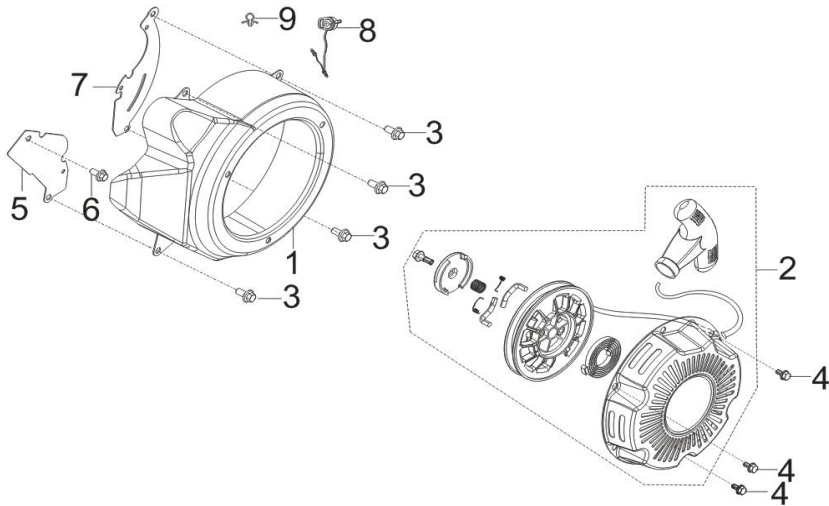
REF.NO.	PART NO	DESCRIPTION	Q'TY
E03-1	13300-Z210710-0000	CRANKSHAFT ASSY.	1
E03-2	13010-Z210110-0000	ROD, CONNECTING	1
E03-3	13111-Z0M0110-0000	PISTON	1
E03-4	13121-Z450110-0000	PIN, PISTON	1
E03-5	13122-Z450110-0000	CLIP, PISTON PIN	2
E03-6	13200-Z450210-0000	RING ASSY, PISTON	1

**FIG.4 TRAIN,VALVE / CAMSHAFT SUBASSEMBLY (E04)**



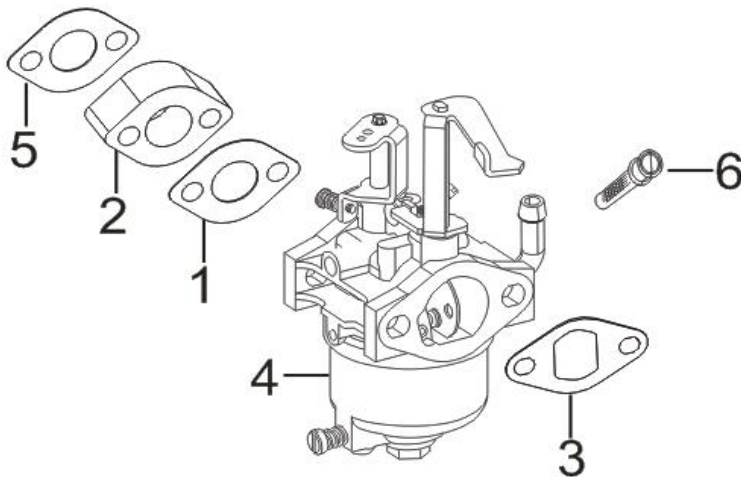
REF.NO.	PART NO	DESCRIPTION	Q'TY
E04-1	14200-Z0M0110-0000	CAMSHAFT ASSY.	1
E04-2	12110-Z0M0110-0000	VALVES SET	1
E04-3	12101-Z810210-0000	GUIDE, SEAL	1
E04-4	12103-Z510110-0000	SPRING, VALVE	2
E04-5	12112-Z810210-0000	SEAT, VALVE SPRING	2
E04-6	12109-Z810110-0000	CLAMP, VALVE LOCK	4
E04-7	14081-Z010110-0000	TAPPET, VALVE	2
E04-8	14071-Z0M0110-0000	LIFTER, VALVE	2
E04-9	14310-Z0M0110-0000	ROCKER SUBASSEMBLY, VALVE	2
E04-10	14318-Z950110-0000	SHAFT, VALVE ROCKER	2

## FIG.5 STARTER,RECOIL (E05)



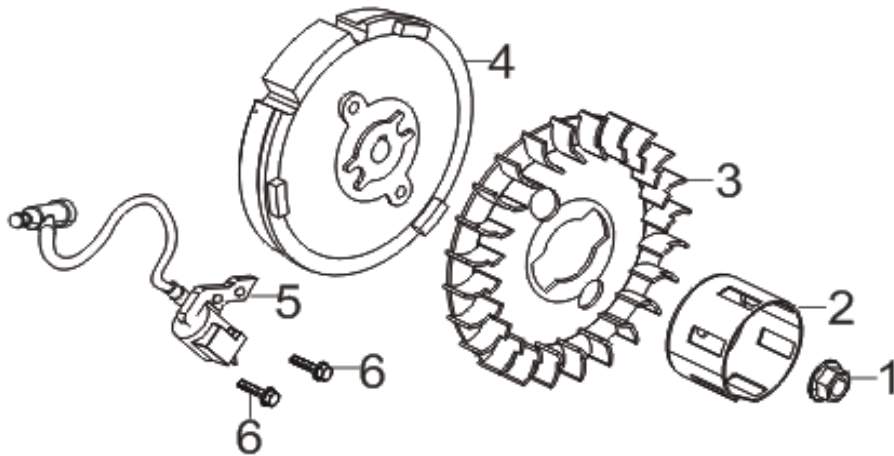
REF.NO.	PART NO	DESCRIPTION	Q'TY
E05-1	28110-Z510110-H600	SHROUD	1
E05-2	28200-Z510210-H600	STARTER ASSY, RECOIL	1
E05-3	90001-0612-01	BOLT	4
E05-4	90001-0608-01	BOLT	3
E05-5	19306-Z510110-0000	DEFLECTOR, CRANKCASE AIR	1
E05-6	90001-0610-01	BOLT	1
E05-7	30028-Z510110-0000	SHIELD, SHROUD	1
E05-8	35540-Z060140-Q200	SWITCH SUBASSEMBLY, STOP ENGINE	1
E05-9	90684-Z250110-0000	CLIP	1

## FIG.6 CARBURETOR ASSY.(E06)



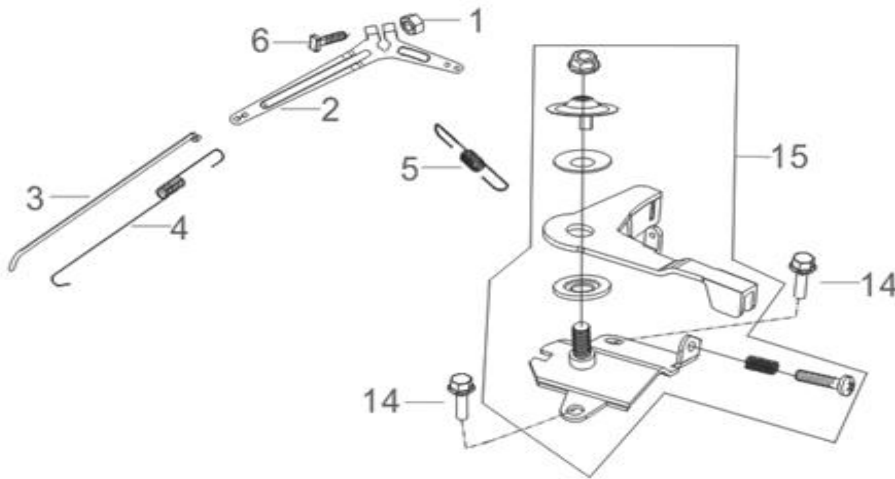
REF.NO.	PART NO	DESCRIPTION	Q'TY
E06-1	16001-Z510110-0000	GASKET, CARBURETOR	1
E06-2	16003-Z510210-0000	PLATE, CARBURETOR INSULATOR	1
E06-3	17001-Z510110-0000	GASKET, AIR CLEANER	1
E06-4	16100-Z0M0110-0009	CARBURETOR ASSY.	1
E06-5	17002-Z510110-0000	GASKET, INLET	1
E06-6	16652-Z800110-0000	STRAINER, FUEL	1

## FIG.7 FLYWHEEL / IMPELLER / STARTER PULLEY / IGNITION COIL (E07)



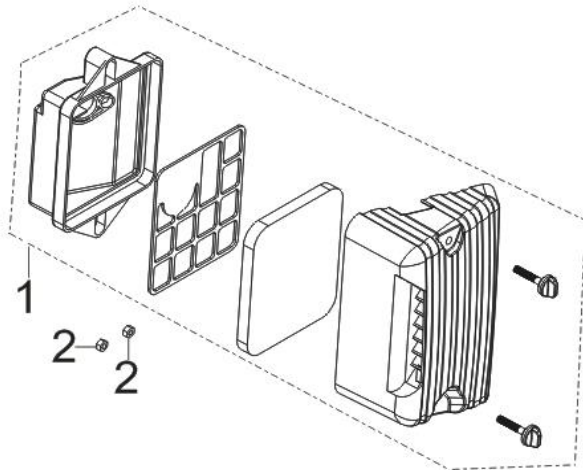
REF.NO.	PART NO	DESCRIPTION	Q'TY
E07-1	13501-Z510110-0000	NUT, FLYWHEEL	1
E07-2	28002-Z510110-0001	PULLEY,STARTER	1
E07-3	19352-Z510110-0001	IMPELLER	1
E07-4	13510-Z510110-0000	FLYWHEEL SUBASSEMBLY	1
E07-5	30400-Z0M0210-0000	COIL, IGNITION	1
E07-6	90001-0620-01	BOLT	2

## FIG.8 CONTROL ASSY, THROTTLE (E08)



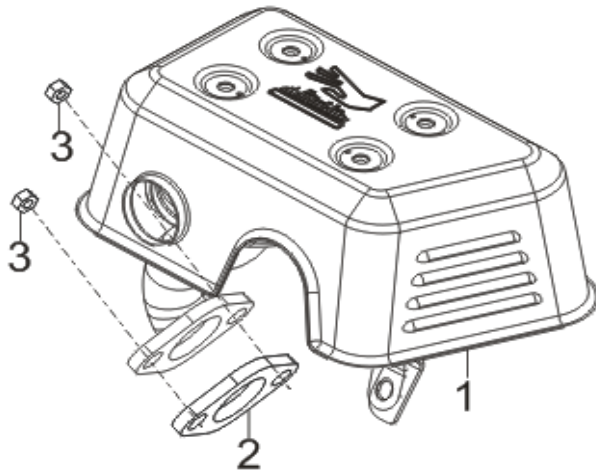
REF.NO.	PART NO	DESCRIPTION	Q'TY
E08-1	90305-0600-31	NUT	1
E08-2	16070-Z510210-0000	SUPPORT SUBASSEMBLY, GOVERNOR	1
E08-3	16062-Z0M0110-0000	ROD, GOVERNEOR	1
E08-4	16012-Z510110-0000	SPRING, THROTTLE VALVE RETURNING	1
E08-5	16063-Z0M0110-0000	SPRING, GOVERNOR	1
E08-6	16072-Z010110-0000	BOLT, GOVERNOR SUPPORT	1
E08-14	90001-0608-01	BOLT	2
E08-15	16520-Z510120-0000	CONTROL ASSY, THROTTLE	1

### FIG.9 CLEANER, AIR (F01)



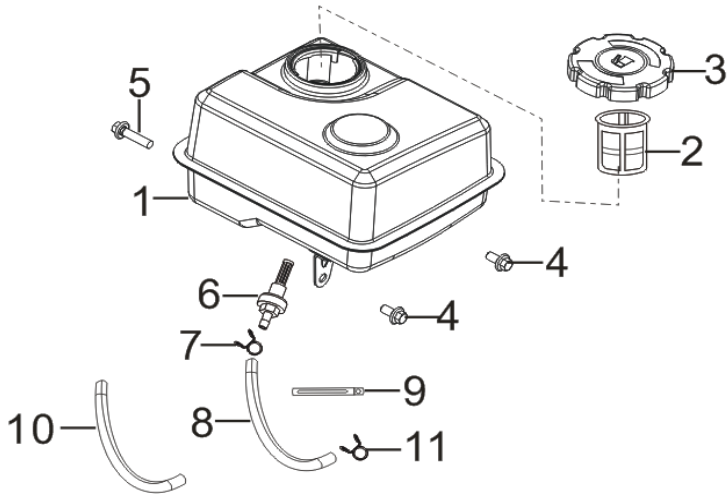
REF.NO.	PART NO	DESCRIPTION	Q'TY
F01-1	17100-Z510510-0000	CLEANER, AIR	1
F01-2	90305-0600-31	NUT	2

### FIG.10 MUFFLER ASSY. (F02)



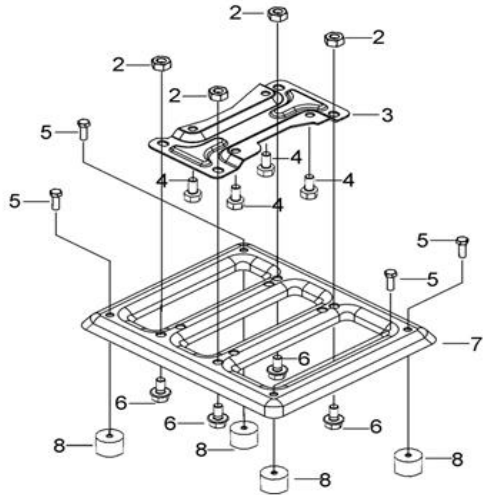
REF.NO.	PART NO	DESCRIPTION	Q'TY
F02-1	18100-Z0M0110-0000	MUFFLER ASSY.	1
F02-2	18001-Z510110-0000	GASKET, EXHAUST OUTLET	1
F02-3	90303-0800-31	NUT	2

**FIG.11 TANK ASSY, FUEL (F03)**



REF.NO.	PART NO	DESCRIPTION	Q'TY
F03-1	16620-Z510120-H600	TANK, FUEL	1
F03-2	16652-Z0M0110-0000	STRAINER, FUEL	1
F03-3	16730-Z300120-0000	COVER, FUEL TANK	1
F03-4	90001-0612-01	BOLT	2
F03-5	90001-0612-01	BOLT	1
F03-6	16680-Z010110-0000	OUTLET SUBASSEMBLY, FUEL TANK OIL	1
F03-7	90740-Z010210-0000	COLLAR	1
F03-8	90686-Z510110-0000	TUBE, FUEL	1
F03-9	90684-Z030120-0000	CLIP	1
F03-10	30431-Z010110-0000	JACKET, RUBBER	1
F03-11	90740-Z010610-0000	COLLAR	1

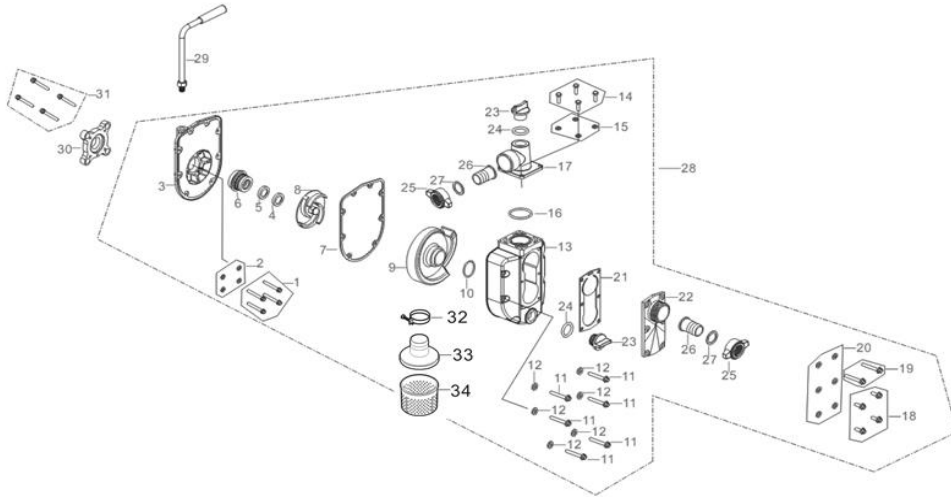
## FIG.12 FRAME ASSY, ENGINE (F04)



REF.NO.	PART NO	DESCRIPTION	Q'TY
F04-2	90327-0800-31	NUT	4
F04-3	51002-Z450110-0000	ENGINE FIXED BOTTOM PLATE	1
F04-4	90001-0816-01	BOLT	4
F04-5	90001-0610-01	BOLT	4
F04-6	90001-0820-01	BOLT	4
F04-7	51143-V040110-H600	PLATE, BOTTOM	1
F04-8	51014HY450110-0000	SEAT, ENGINE FRAME SHOCK ABSORPTION	4



**FIG. 13 PUMP BODY ASSEMBLY (F61)**



REF.NO.	PART NO	DESCRIPTION	Q'TY
F61-1	90001-V050310-0000	BOLT	4
F61-2	90409-V050110-0000	GASKET	4
F61-3	70118-V050110-0000	JOINT, WATER PUMP	1
F61-4	70125-V050110-0000	RING, IMPELLER SEAL	1
F61-5	70309-V050110-0000	SEAL, PORCELAIN	1
F61-6	70300-V050110-0000	SEAL ASSY, MECHANISM	1
F61-7	70119-V050110-0000	CUSHION, WATER PUMP JOINT	1
F61-8	70102-V050110-0000	IMPELLER, WATER PUMP	1
F61-9	70103-V050110-0000	CASE, WHORL	1
F61-10	70104-V050110-0000	RIGN, WHORL CASE SEALING	1
F61-11	90001-V050410-0000	BOLT	6
F61-12	90409-V050110-0000	GASKET	6
F61-13	70105-V050110-0000	PUMP BODY	1
F61-14	90001-V050110-0000	BOLT	4
F61-15	90409-V050110-0000	GASKET	4
F61-16	70109-V050110-0000	GASKET, OUTLET	1
F61-17	70108-V050110-0000	OUTLET, WATER	1
F61-18	90001-V050310-0000	BOLT	4
F61-19	90001-V050210-0000	BOLT	2
F61-20	90409-V050110-0000	GASKET	6
F61-21	70115-V050110-0000	GASKET, INLET WATER	1
F61-22	70116-V050110-0000	INLET, WATER	1
F61-23	70107-V050110-0000	PLUG, THREAD	2
F61-24	70122-V050110-0000	WASHER, SCREW PLUG	2
F61-25	70111-V050510-0000	JOINT, HOSE	2
F61-26	70112-V050510-0000	INTERFACE, HOSE	2
F61-27	70131-V050110-0000	RING, HOSE JOINT SEAL	2
F61-28	70100-V050910-0P00	PUMP ASSY, WATER	1
F61-29	54110-V050110-0000	HANDLE TUBE ASSY	1
F61-30	90795-V050110-0000		1
F61-31	90102-0816-01		4
F61-32	70400-V050110-0000	HOOP SUBASSEMBLY, HOSE	3
F61-33	70113-V050110-0000	COVER, FILTER	1
F61-34	70114-V050110-0000	FILTER	1